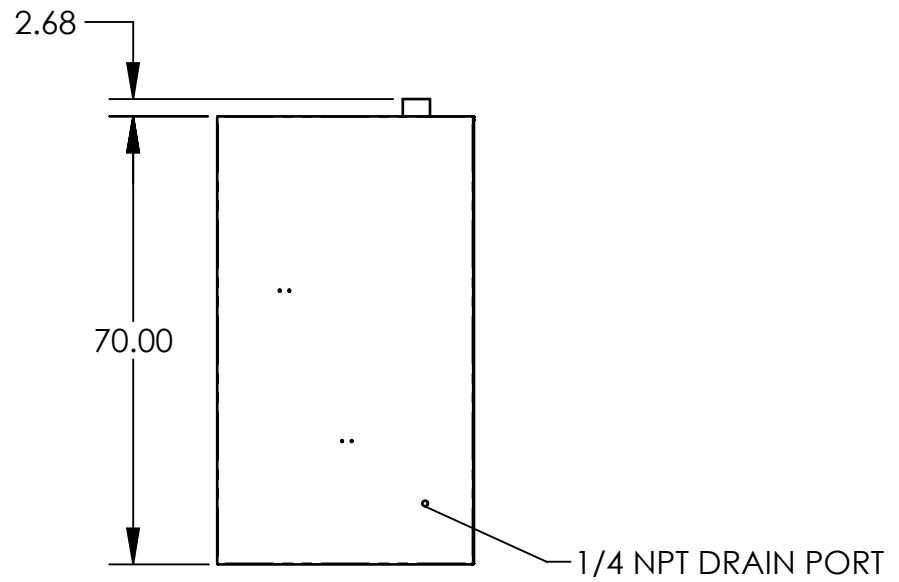
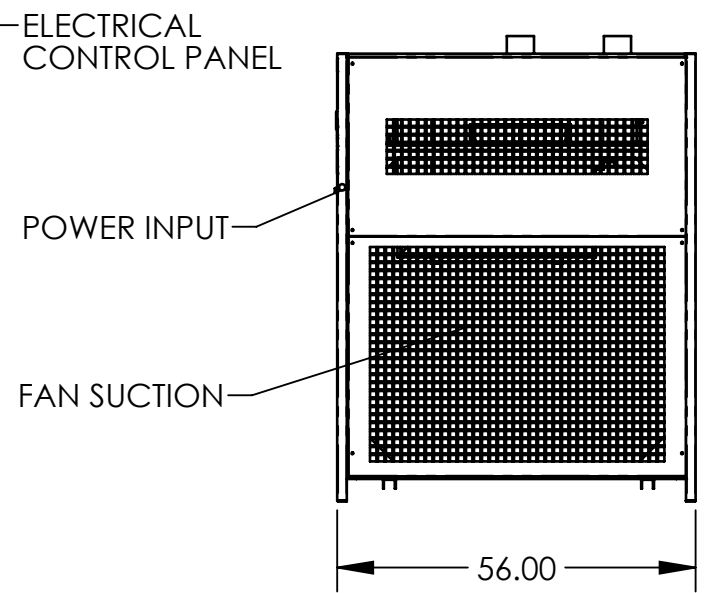
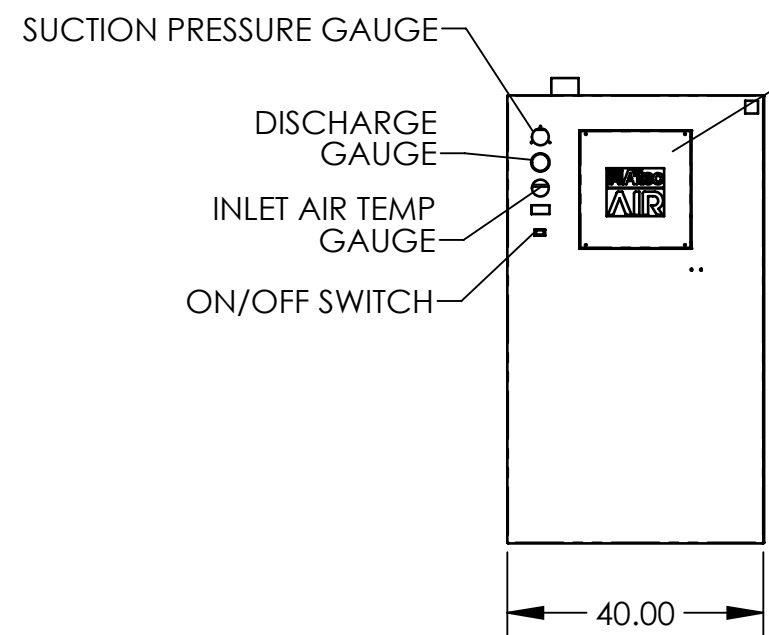
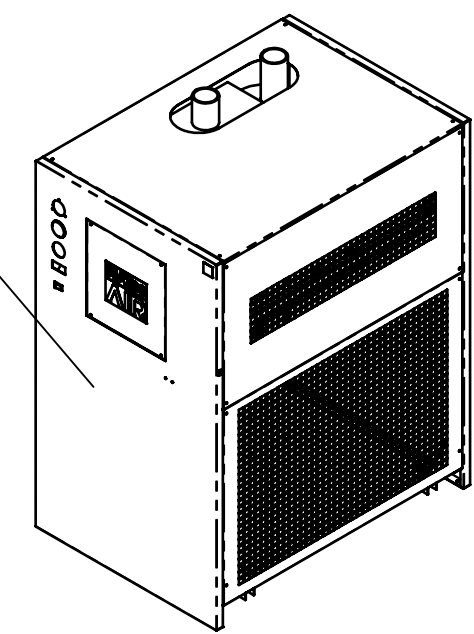
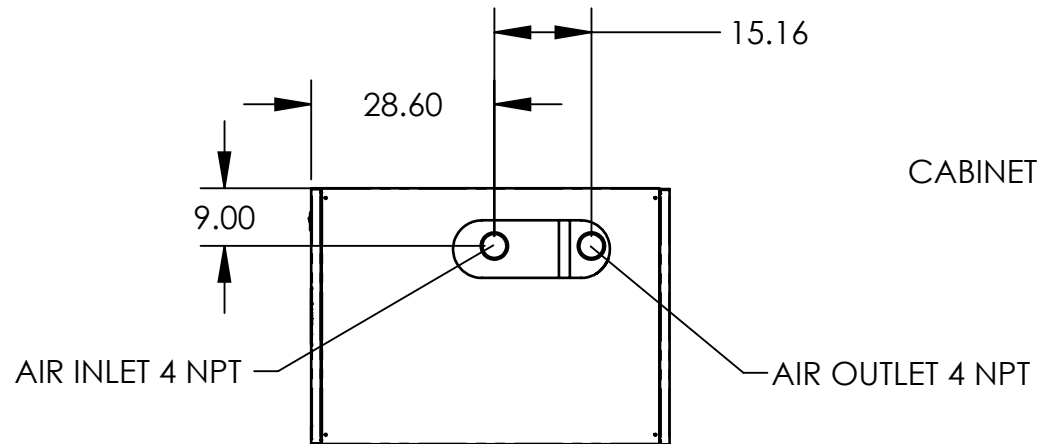



MODEL	RAD-2000A-5
MAX INLET AIR TEMP (F)	140°
MIN/MAX AMBIENT TEMP (F)	45°/120°
VOLTAGE	575V-3Ph-60Hz
REFRIGERANT	R404A
REFRIGERANT CHARGE (OZ)	288
LRA	120
RLA	22.5
MCA	24.7
MOP	65
COMPRESSOR	SCROLL
INLET/OUTLET PORT (NPT)	4 NPT
DESIGN PRESSURE LOW/HIGH	181/450 PSI
COMPRESSOR HP	20
WEIGHT (LBS)	1595



DRAWN E.GALINDO	UNLESS OTHERWISE NOTED, TOLERANCES ARE: FRACTIONS: $\pm 1/16$ ANGLES: $\pm 0^{\circ}30'$ DECIMAL: .X = $\pm .06$   .XX = $\pm .03$   .XXX = $\pm .015$   .XXXX = $\pm .0030$ MACHINED SURFACES: 125 MICROINCHES THESE TOLERANCES DO NOT APPLY TO BASIC DIMENSIONS. DO NOT SCALE THIS PRINT, REMOVE ALL BURRS & SHARP EDGES, ALL DIMENSIONS ARE IN INCHES. CAD SOFTWARE: SOLIDWORKS. DRAWING DIMENSIONED TO ALTEC STANDARD: CDS-0007.	 226A COMMERCE ST, BROOMFIELD, CO 80020					
APPROVED							
DATE 11/30/2023		TITLE: DRYR-REFRIG, NON-CYCL, 2000 SCFM, 575V/3PH, 60 HZ	SCALE	WEIGHT	SIZE	NUMBER	REV
FINISH			1:30	-	2	100520538	A